

REVISIONS	REV NO	DESCRIPTION	DATE

**CROOKED LAKE
ELEMENTARY SCHOOL**
HVAC Replacement and Deferred
Maintenance - Phase 3
Anoka-Hennepin Schools I.S.D. No. 11
2939 Bunker Lake Blvd NW
Andover, MN 55304

SIGNATURE / SEAL
I hereby certify that this plan, specification, or report was prepared by me or under my direct supervision and that I am a duly licensed Professional Engineer under the laws of the State of Minnesota.
Timothy G. LaBissoniere
Signature
Timothy G. LaBissoniere
Type or printed name
OCTOBER 27, 2021
Date
21387
License Number

KEYPLAN

DRAWN BY
EH
CHECKED BY
TGL
ISSUED FOR
CONSTRUCTION DOCUMENTS
ISSUE DATE
OCTOBER 27, 2021
SHEET NAME
PARTIAL ROOF FRAMING PLAN AND SECTIONS
PROJECT NO.
19039.2
IMEG NO. 21006107.00
REVISION NO.

SHEET NUMBER

ATSR PROJECT NO.

19039.2

IMEG NO. 21006107.00

REVISION NO.

SHEET NUMBER

SHEET NUMBER

SHEET NUMBER

SHEET NUMBER

SHEET NUMBER

SHEET NUMBER

SHEET NUMBER

SHEET NUMBER

SHEET NUMBER

SHEET NUMBER

SHEET NUMBER

SHEET NUMBER

SHEET NUMBER

SHEET NUMBER

SHEET NUMBER

SHEET NUMBER

SHEET NUMBER

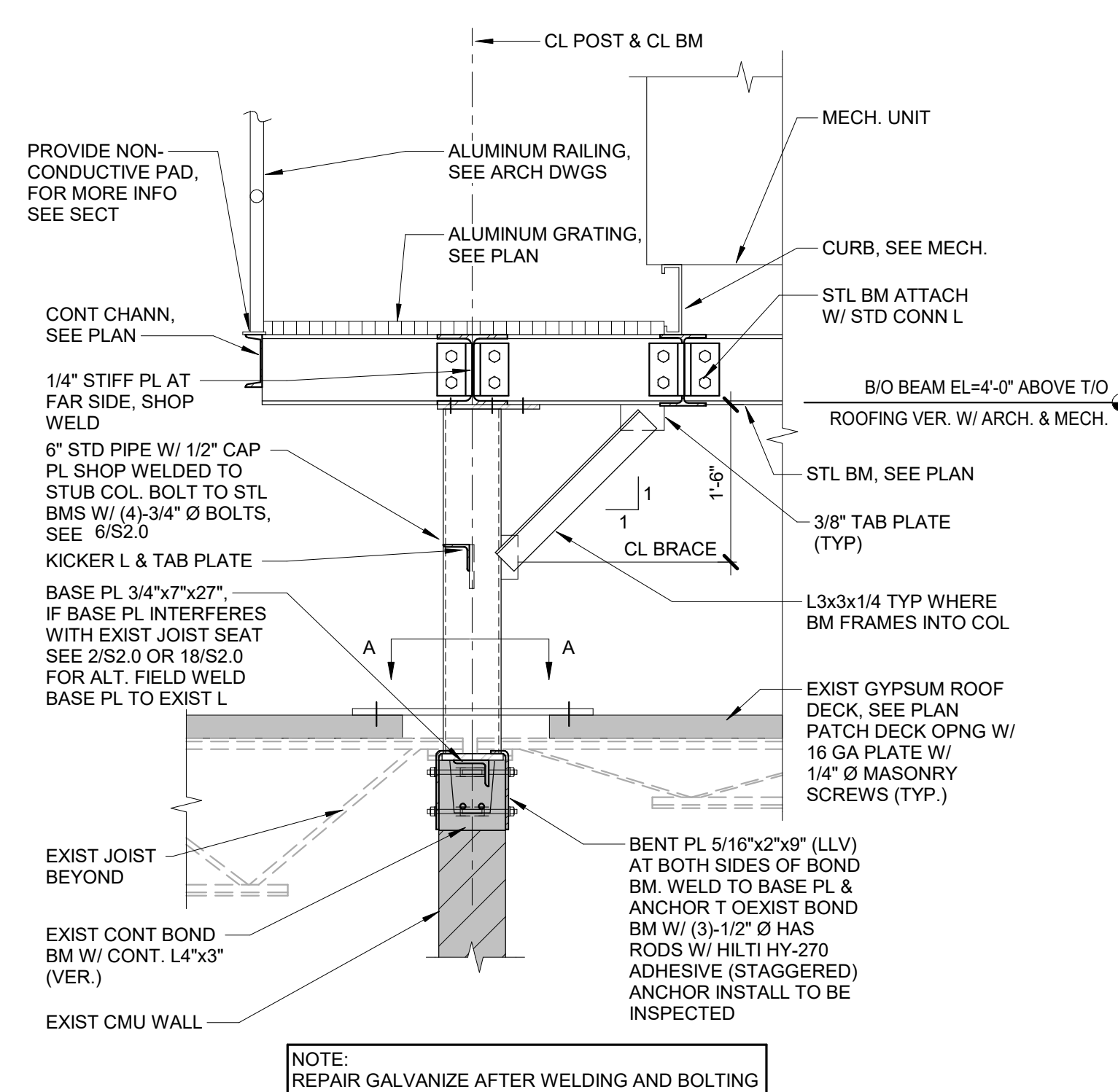
SHEET NUMBER

SHEET NUMBER

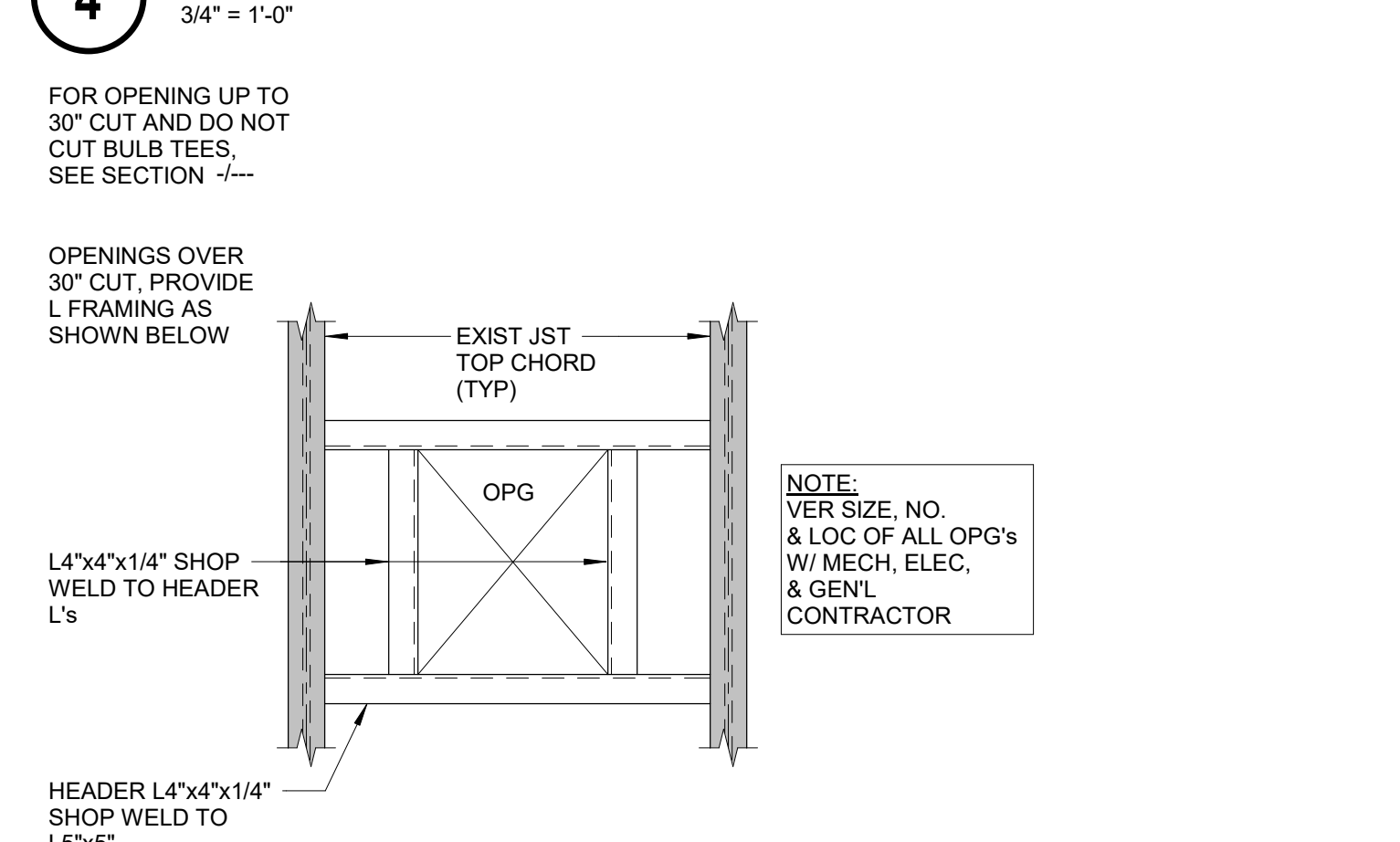


1 PARTIAL ROOF FRAMING PLAN
1/8" = 1'-0"

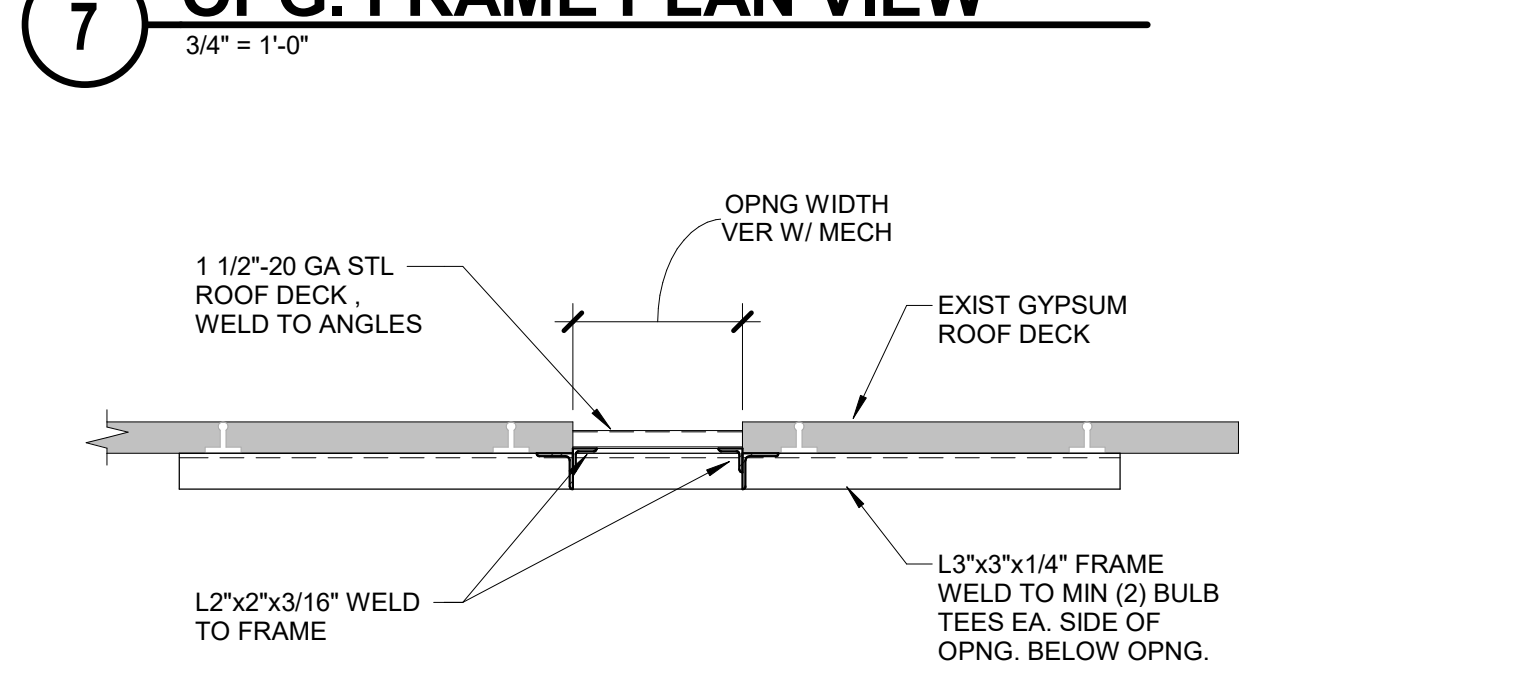
- GENERAL PLAN NOTES:**
- VERIFY ALL DIMENSIONS AND ELEVATIONS W/ ARCH. DRAWINGS
 - FIELD VERIFY EXISTING CONDITIONS PRIOR TO WORK
 - SEE ARCH DRAWINGS FOR LOCATIONS OF WALLS NOT DIMENSIONED ON PLAN
 - FOR NEW ROOF OPENING SUPPORT SEE SECTION 7/S2.0
 - FOR POINT LOAD TO STL JOISTS SEE SECTION 8/S2.0
 - IF X-BRIDGING IS BEING REMOVED FROM A JOIST SPACE, THEN BOTTOM CHORD HORIZONTAL JOIST BRIDGING SHOULD BE ADDED TO EACH ADJACENT JOIST SPACE. SEE 11/S2.0
 - IF BOTTOM CHORD HORIZONTAL JOIST BRIDGING IS REMOVED FROM (1) JOIST SPACE, THEN X-BRIDGING SHOULD BE ADDED TO THE (2) ADJACENT JOIST SPACES. YOU CAN NOT ELIMINATE BOTTOM CHORD HORIZONTAL JOIST BRIDGING IN (2) OR MORE CONSECUTIVE JOIST SPACES
 - GALVANIZE ALL STEEL EXPOSED TO WEATHER (ABOVE ROOFING)
 - VERIFY WITH MECHANICAL & ARCHITECTURAL FOR QUANTITY AND LOCATION OF EXISTING ROOF OPENINGS TO BE INFILLED. SEE SECTION 10/S2.0
- ROOF PLAN NOTES:**
- MOVE FRAME LOCATION IF POSSIBLE TO MISS JOIST BRG. COORDINATE W/ MECH.
 - ALUMINUM GRATING, SEE ARCH DWGS AND SPECS
 - LADDER BY OTHERS, SEE ARCH. DWGS.
 - PROVIDE BEAM TO BEAM CONNECTION, SEE SECTION 17/S2.0
 - C3x4.1 VERT. SEE SECTION 3/S2.1
 - C3x4.1 VERT. SEE SECTION 4/S2.1
 - HSS3x3x3/16" CONT HORIZ AT BOTTOM OF VERT CHANNELS W/ 3/16" END CAP PLATE SHOP WELDED
 - SHORE EXISTING WALL AS REQUIRED TO INSTALL NEW W8x15 LOINTREL BEFORE MECH FRAME BEAMS INSTALLED. INSTALL ABOVE EXIST W8 LINTEL. FIELD VERIFY SPAN. INSTALL NEW UNTEL SEVERAL COURSES ABOVE EXISTING TO AVOID GLAZED TILE FINISH. BEAR 8" BEYOND EDGE OF OPENING EACH END. PATCH WALL TO MATCH EXISTING.



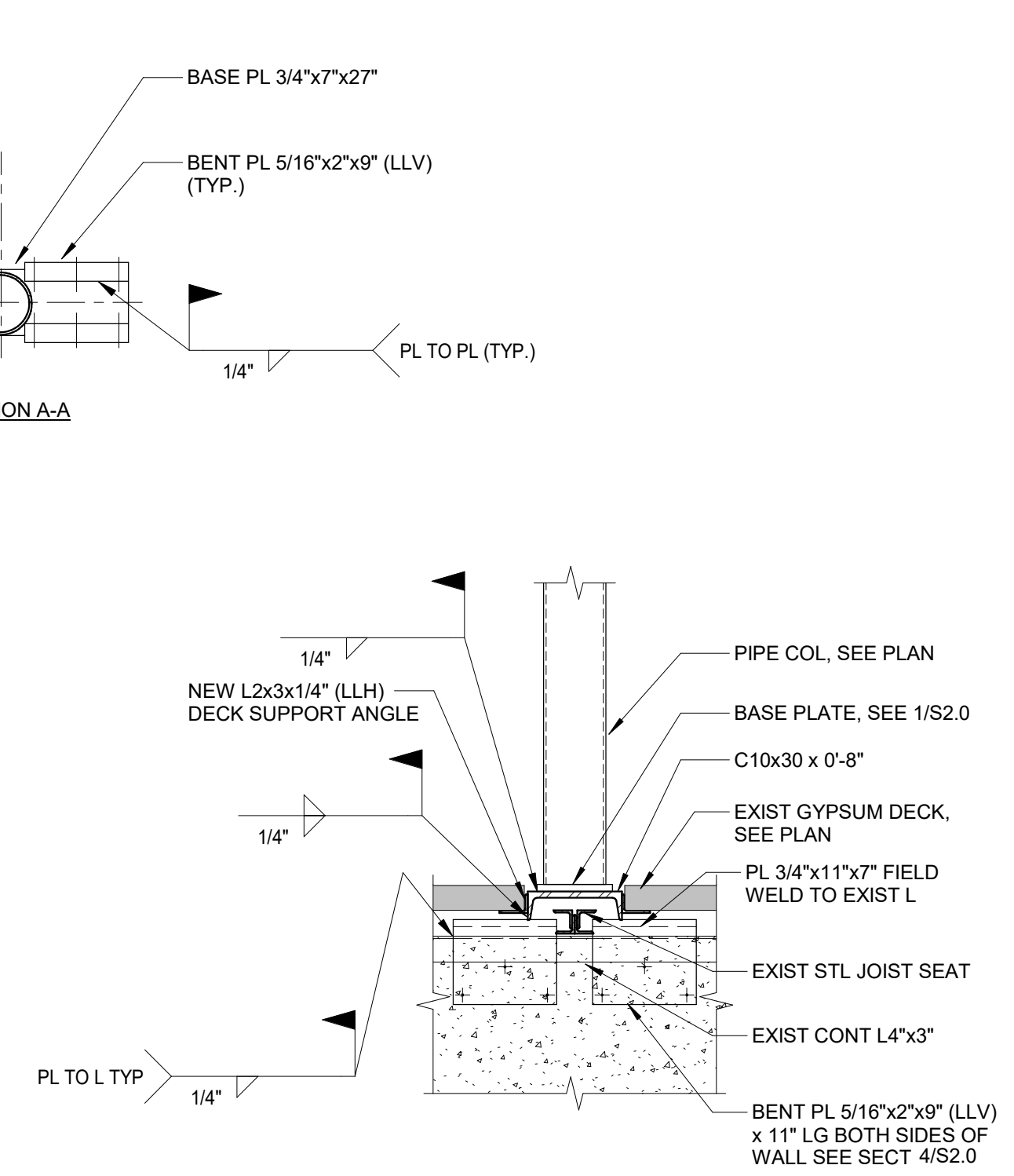
4 SECTION
3/4" = 1'-0"



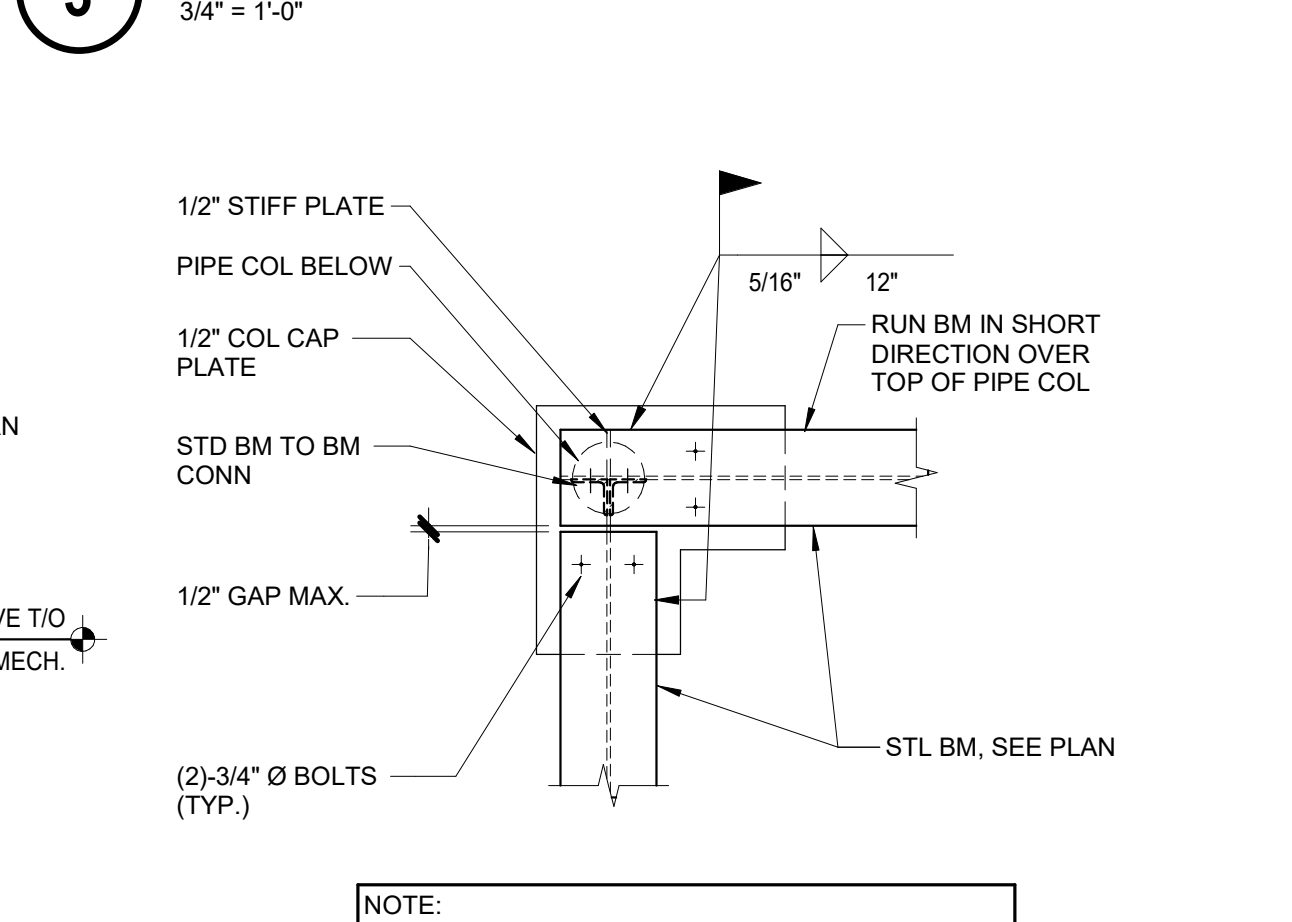
7 OPG. FRAME PLAN VIEW
3/4" = 1'-0"



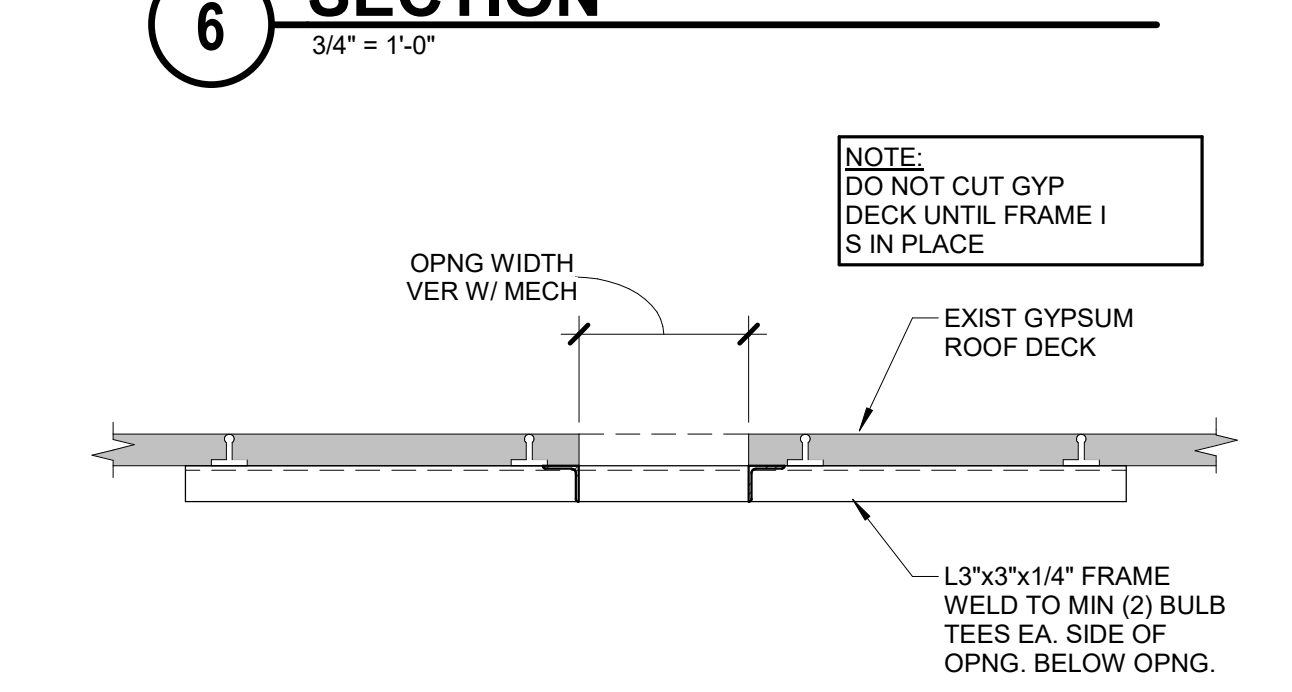
10 SECTION
3/4" = 1'-0"



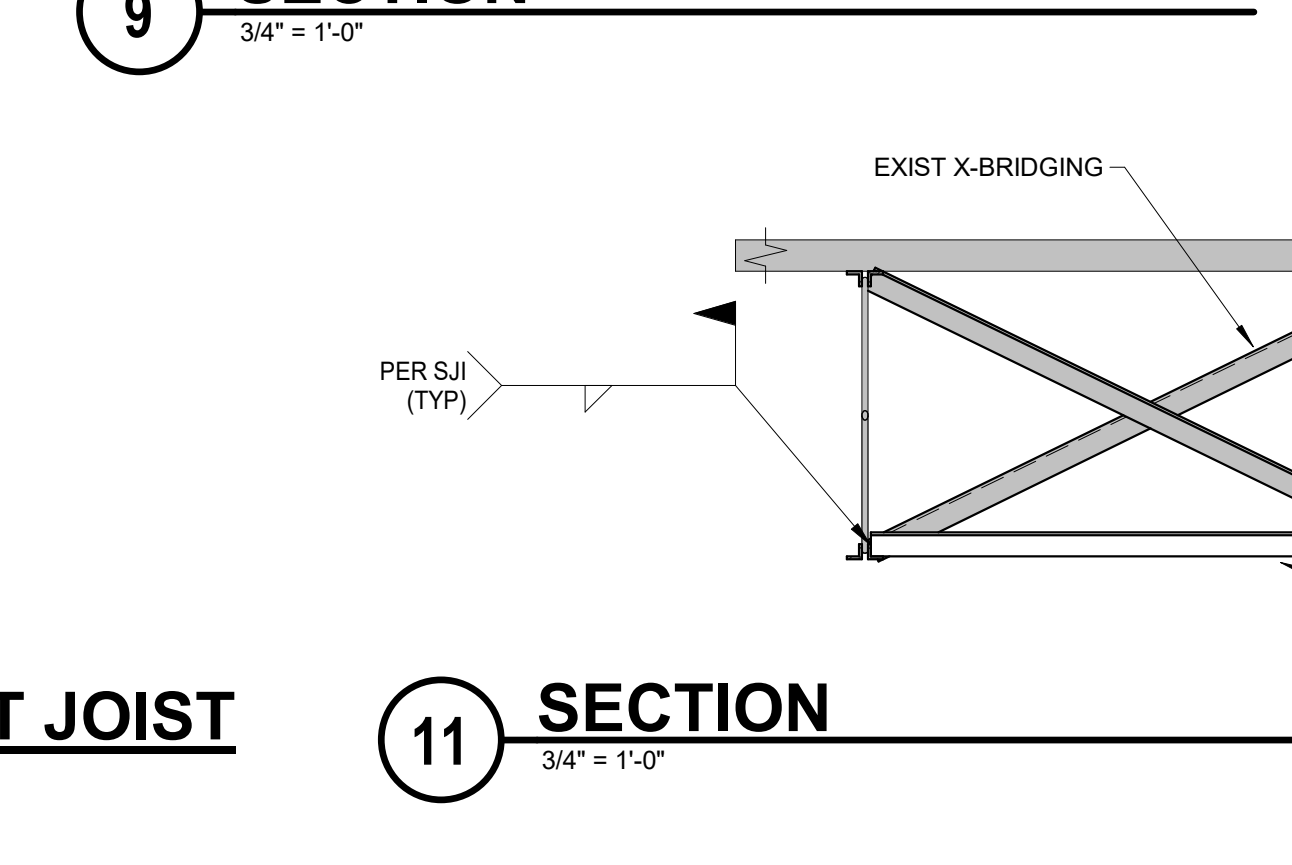
3 SECTION
3/4" = 1'-0"



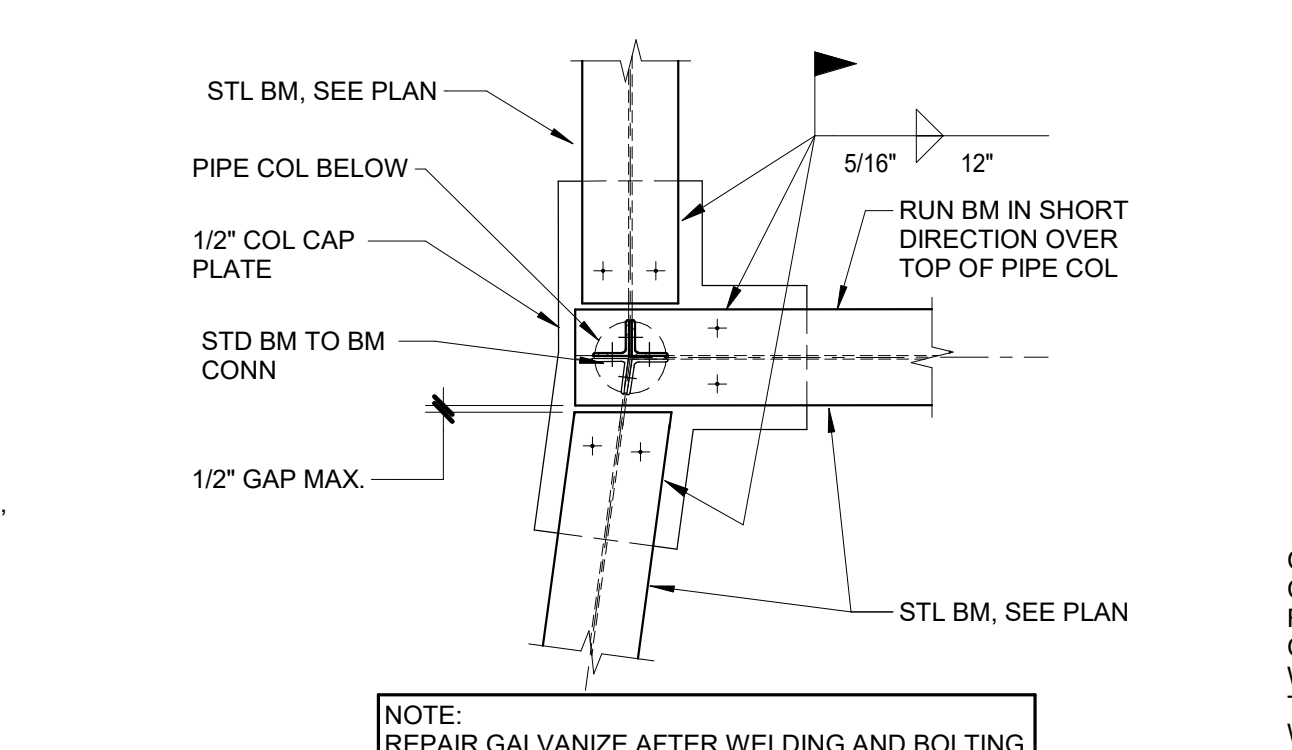
6 SECTION
3/4" = 1'-0"



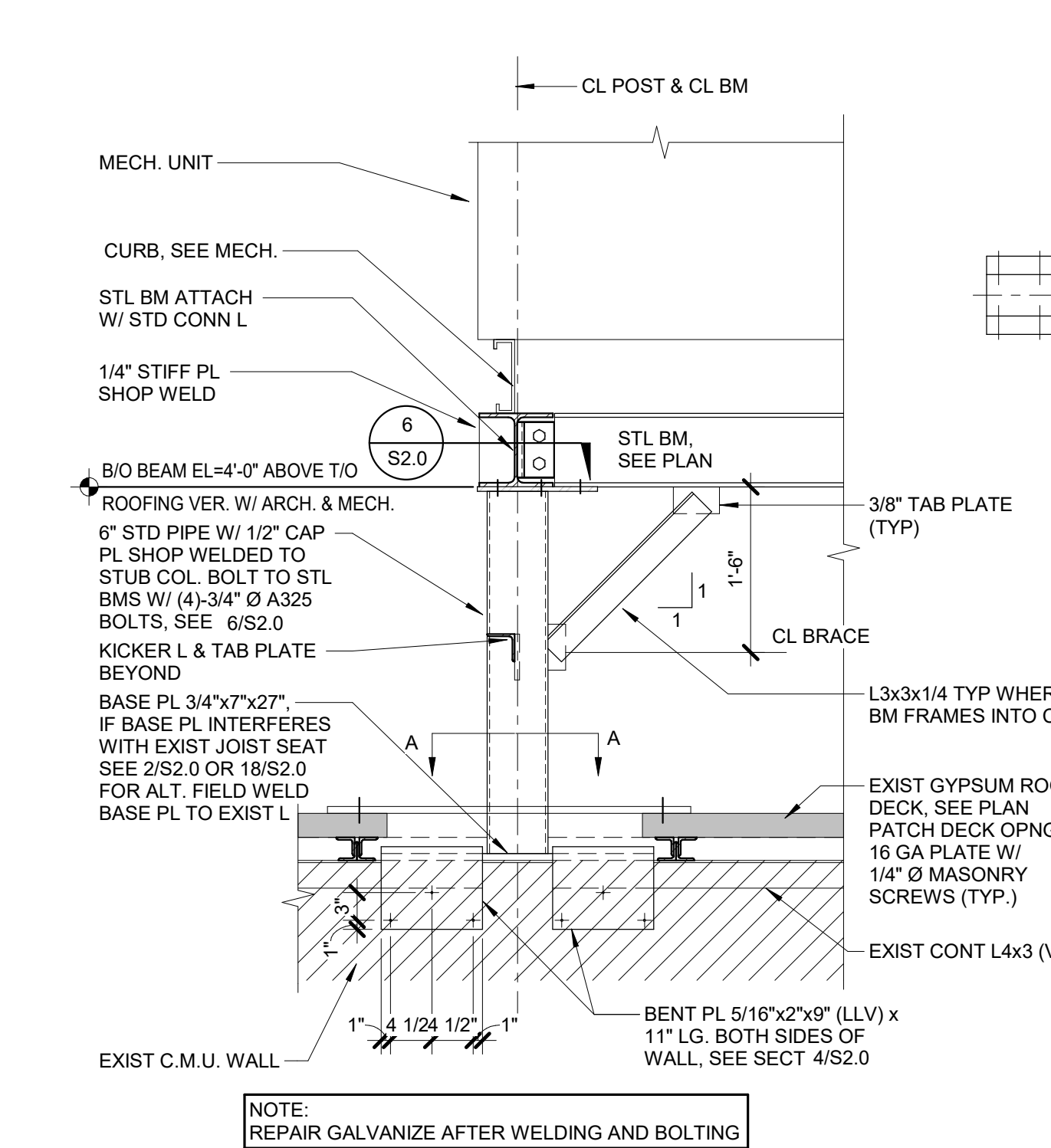
9 SECTION
3/4" = 1'-0"



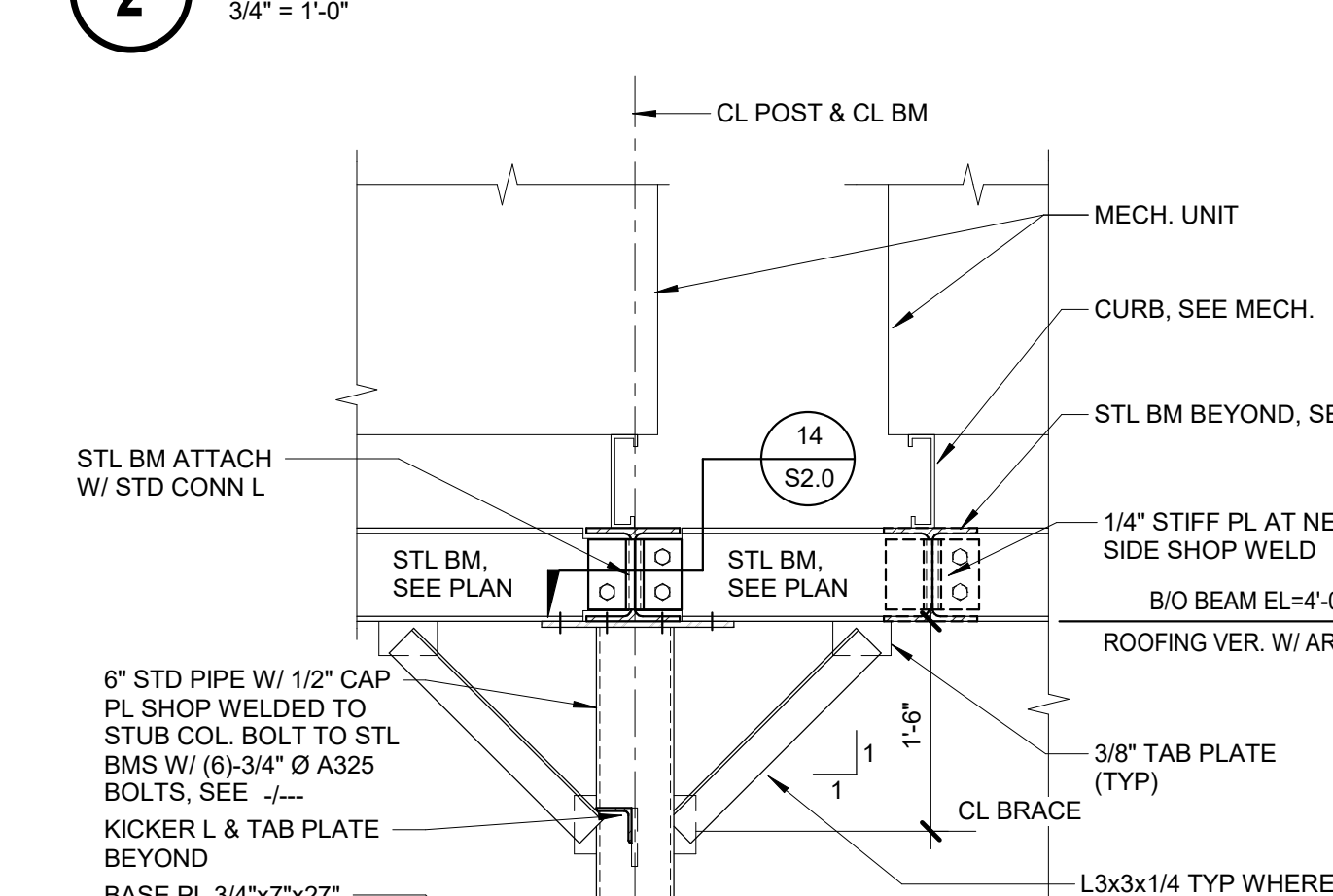
11 SECTION
3/4" = 1'-0"



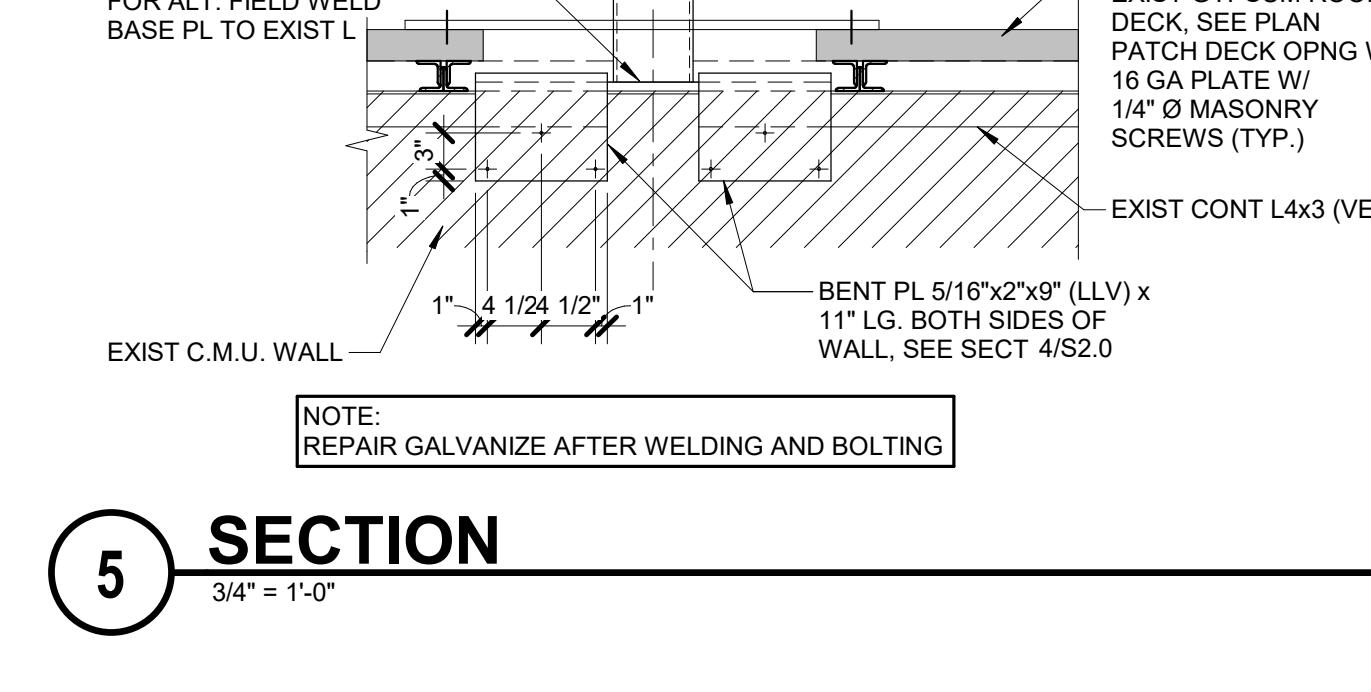
14 SECTION
3/4" = 1'-0"



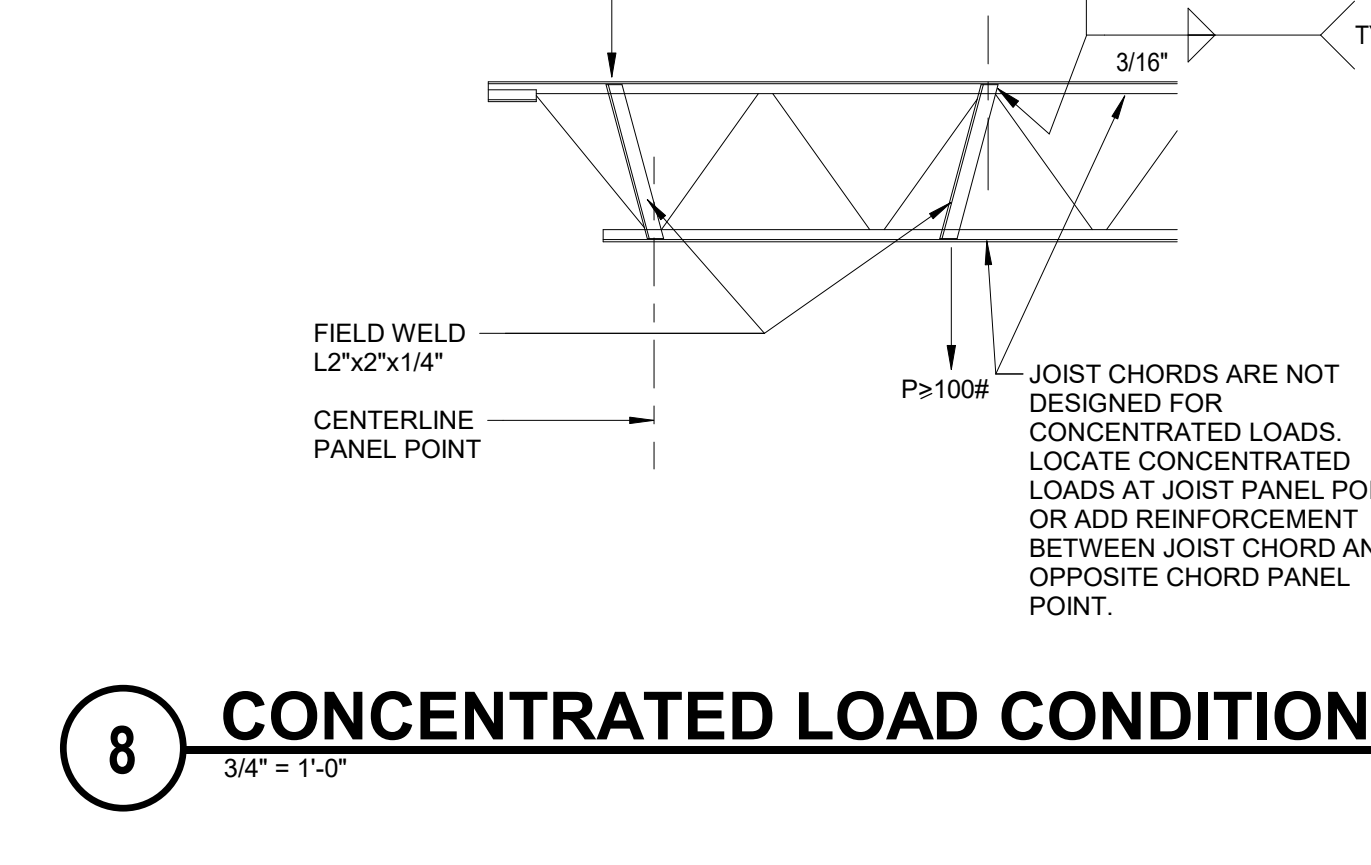
2 SECTION
3/4" = 1'-0"



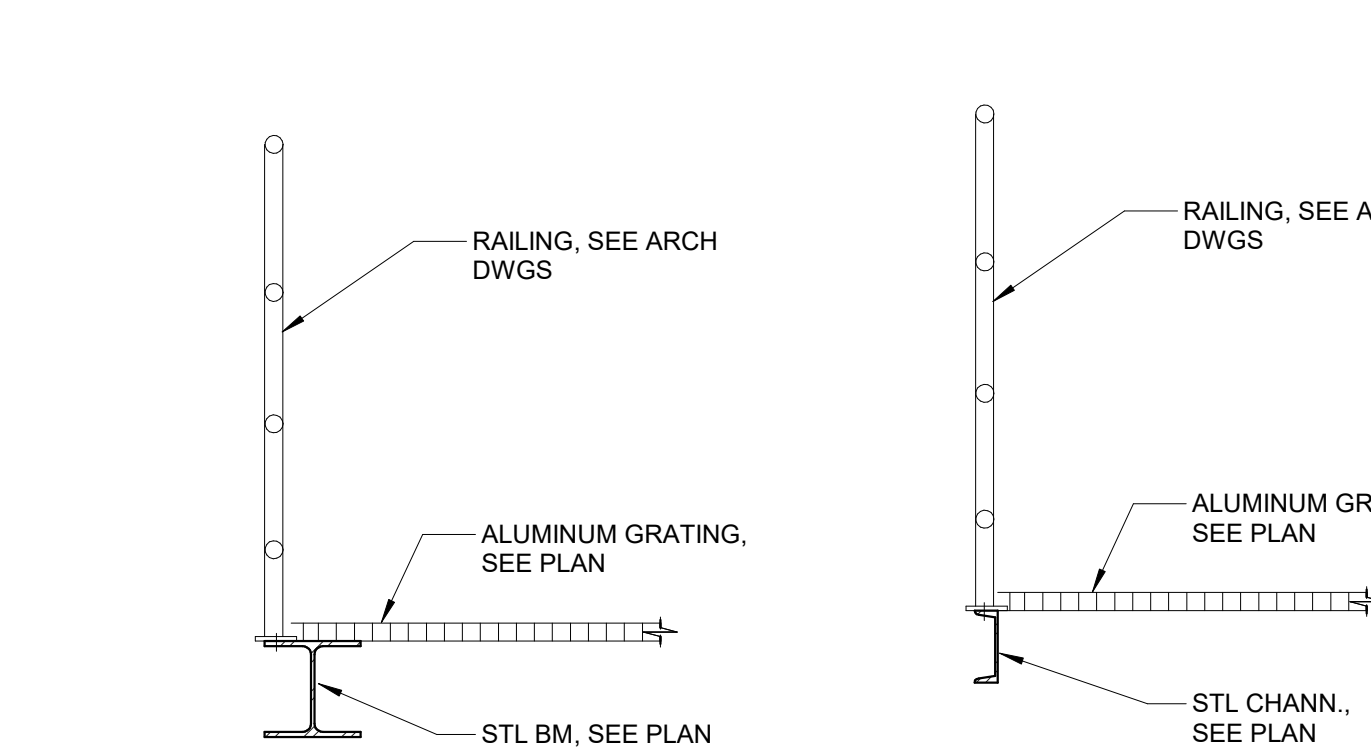
5 SECTION
3/4" = 1'-0"



8 CONCENTRATED LOAD CONDITION AT JOIST
3/4" = 1'-0"



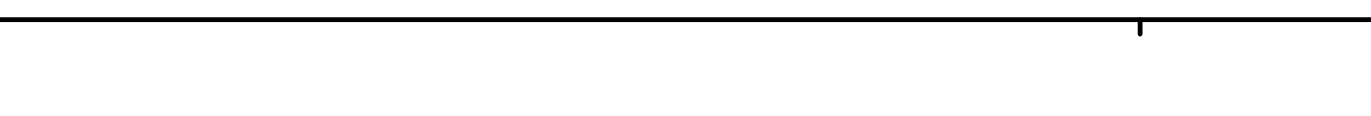
12 SECTION
3/4" = 1'-0"



13 SECTION
3/4" = 1'-0"



15 SECTION
1" = 1'-0"



16 SECTION
1" = 1'-0"

17 SECTION
1" = 1'-0"

18 SECTION
3/4" = 1'-0"